



Ball Catch (BC) & Magnetic Catch (MC-F)

General Information:



Function: To lock shut doors or flaps.

Features:

1. Adaptable to the thickness of the panel units.

Item Description:

Item Number:

BC - Light

C093045

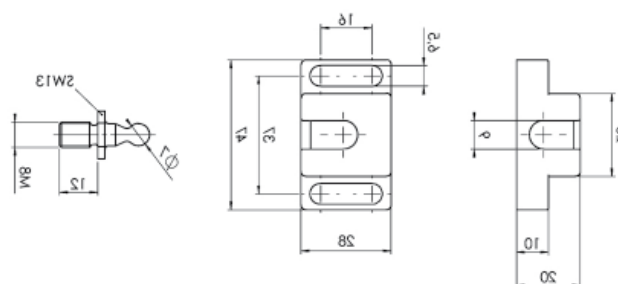


BC - Strong

C093043

**Set Includes:**

- 1 - Ball catch unit
x 1
- 2 - Ball and M8 x 12
screw x 1



Item Description:

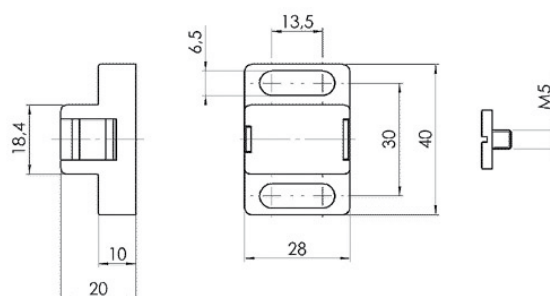
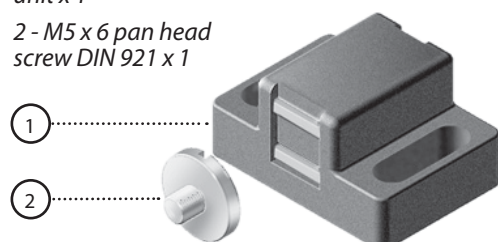
Item Number:

MC - F

1.25.0035.0

**Set Includes:**

- 1 - Magnetic catch
unit x 1
- 2 - M5 x 6 pan head
screw DIN 921 x 1

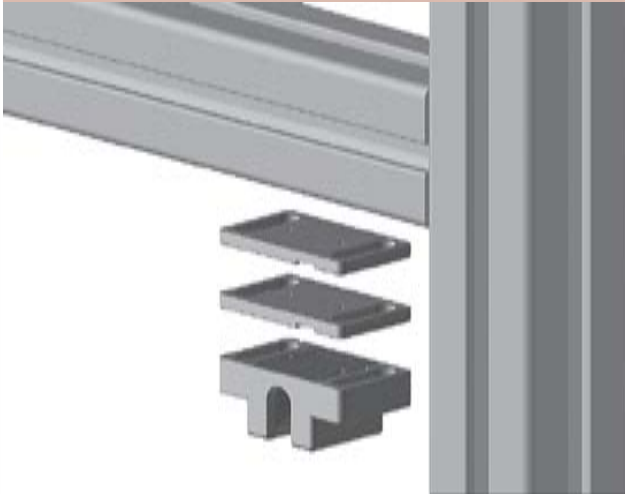


Technical Information:

Item Description	Locking Force (N)	Weight (g)	Colour	Finish	Material:
BC - Light	40.0	45.0	Black	1 - Plain 2 - Zinc plated	1 - Fibreglass reinforced nylon 2 - Stainless steel SS304
BC - Strong	50.0	45.0			
MC - F	30.0 front / 50.0 back	39.0			



Spacer for Ball Catch (BC - Spacer):



General Information:

Function: To increase the distance to the aluminium profile.

Features:

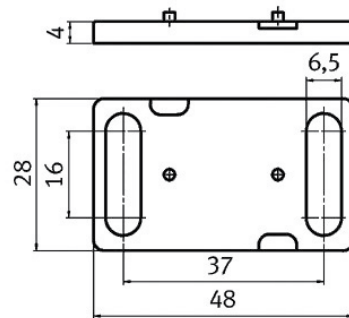
- 1. Includes separate slot fixation strips.

Item Description:

BC - Spacer

Item Number:

C093082

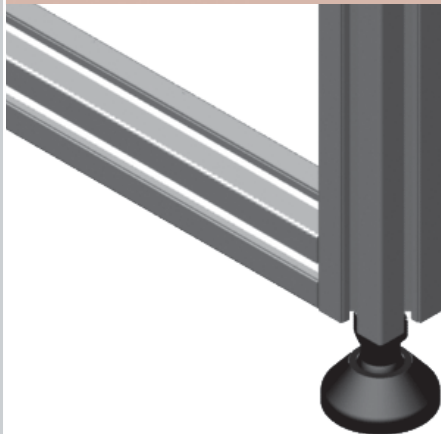


Technical Information:

Item Description	Height (mm)	Weight (g)	Colour	Finish	Material
BC - Spacer	4.0	5.0	Black (others colours on request)	Plain	Fibreglass reinforced nylon



Mounting Pads (MTP):



General Information:

Function: A levelling foot for stable positioning on slightly uneven floors.

Features:

1. Maximum adjustable angle of 20°.
2. Anti slip and vibration 'pad.

Note:

1. The appropriate hexagonal nut is provided.

Item Description:

MTP 40 x M8

Item Number:

1.26.4080.0

MTP 40 x M8

1.26.4081.0

MTP 40 x M10

1.26.4100.0

MTP 60 x M12

1.26.6120.0

MTP 60 x M16

1.26.6160.0

MTP 90 x M12

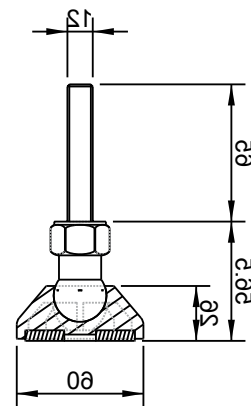
1.26.9120.0

MTP 90 x M16

1.26.9160.0

Set Includes:

- 1 - Stud x 1 3 - Base x 1
2 - Ball x 1 4 - Pad x 1

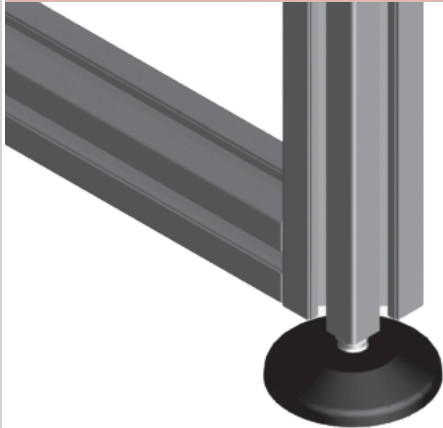


Technical Information:

Item Description	Dim -A- (mm)	Dim -B- (mm)	Dim -C- (mm)	Dim -D- (mm)	Dim -E- (mm)	Max Static Load (kg)	Weight (g)	Material
MTP 40 x M8	40.0	60.0	33.0	20.0	M8	350.0	-	1 - Mild steel (Stainless steel on request)
MTP 40 x M8	40.0	35.0	33.0	20.0				
MTP 40 x M10	40.0	60.0	33.0	20.0	M10	500.0	-	2,3 - Fibreglass reinforced nylon
MTP 60 x M12	60.0	65.0	51.0	25.0	M12	800.0	-	
MTO 60 x M16	60.0	65.0	51.0	25.0	M16	1000.0	-	4 - Synthetic rubber
MTO 90 x M12	90.0	65.0	51.0	25.0	M12	800.0	-	
MTP 90 x M16	90.0	65.0	51.0	25.0	M16	1000.0	-	



Swivel Feet Base - Nylon (SWB - N):



General Information:

Function: A levelling foot for stable positioning on slightly uneven floors.



Item Description:	Item Number: With Anti Slip Plate	Item Number: Without Anti Slip Plate
SWB - N 30	C098D030K	C098D030KG
SWB - N 40	C098D040K	C098D040KG
SWB - N 45	C098D045K	C098D045KG
SWB - N 50	C098D050K	C098D050KG
SWB - N 60	C098D060K	C098D060KG
SWB - N 80	C098D080K	C098D080KG
SWB - N 100	C098D100K	C098D100KG

Set Includes:

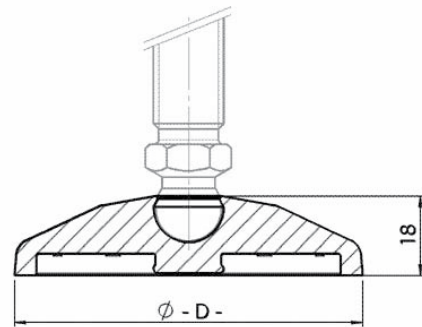
Without Anti Slip Plate:

1 - Base x 1

With Anti Slip Plate:

1 - Base x 1

2 - Anti Slip Plate x 1

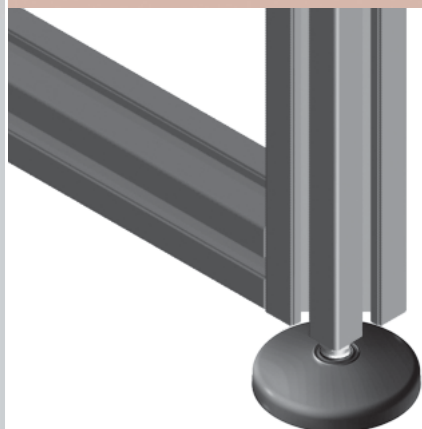


Technical Information:

Item Description	Dim -D- (mm)	Max Static Load (kg)	Weight (g)	Colour	Material
SWB - N 30	29.0	500.0	8.0	Black	Fibreglass reinforced nylon
SWB - N 40	39.0	900.0	13.0		
SWB - N 45	44.0		15.0		
SWB - N 50	49.0		16.0		
SWB - N 60	59.0		22.0		
SWB - N 80	79.0		44.0		
SWB - N 100	99.0		84.0		



Swivel Feet Base - Die-cast Zinc (SWB - Zn):



General Information:

Function: A levelling foot for stable positioning on slightly uneven floors.



Item Description:	Item Number: With Anti Slip Plate	Item Number: Without Anti Slip Plate
SWB - Zn 30	C098D030ZS	C098D030ZSG
SWB - Zn 40	C098D040ZS	C098D040ZSG
SWB - Zn 45	C098D045ZS	C098D045ZSG
SWB - Zn 50	C098D050ZS	C098D050ZSG
SWB - Zn 60	C098D060ZS	C098D060ZSG
SWB - Zn 80	C098D080ZS	C098D080ZSG
SWB - Zn 100	C098D100ZS	C098D100ZSG
SWB - Zn 120	C098D120ZS	C098D120ZSG

Set Includes:

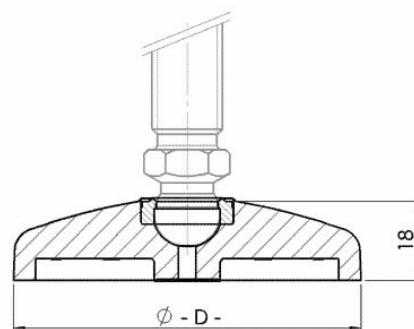
Without Anti Slip Plate:

1 - Base x 1

With Anti Slip Plate:

1 - Base x 1

2 - Anti Slip Plate x 1

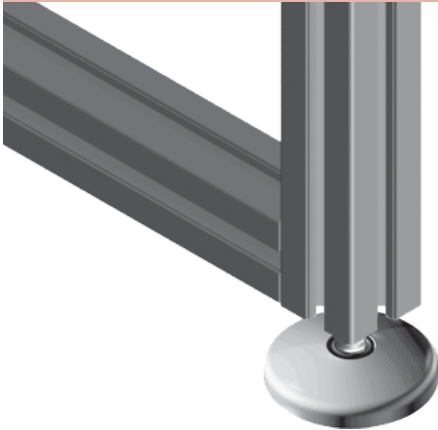


Technical Information:

Item Description	Dim -D- (mm)	Max Static Load (kg)	Weight (g)	Colour	Finish	Material
SWB - Zn 30	29.0	2000.0	48.0	Black	Powder Coated (Other surfaces on request)	Die-cast zinc
SWB - Zn 40	39.0		70.0			
SWB - Zn 45	44.0		90.0			
SWB - Zn 50	49.0		126.0			
SWB - Zn 60	59.0		160.0			
SWB - Zn 80	79.0	3500.0	260.0			
SWB - Zn 100	99.0		400.0			
SWB - Zn 120	119.0		584.0			

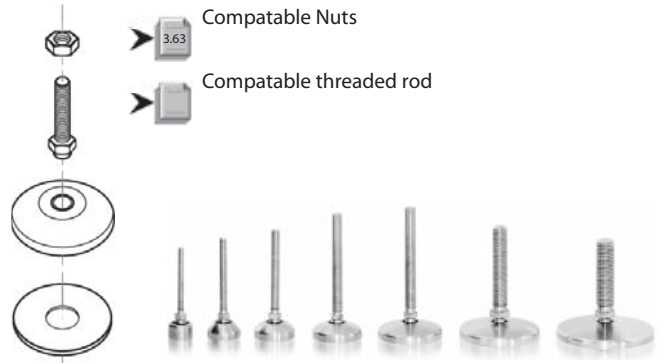


Swivel Feet Base - Stainless Steel (SWB - SS):



General Information:

Function: A levelling foot for stable positioning on slightly uneven floors.



Item Description:	Item Number: With Anti Slip Plate	Item Number: Without Anti Slip Plate
SWB - SS 30	C098D030E	C098D030EG
SWB - SS 40	C098D040E	C098D040EG
SWB - SS 45	C098D045E	C098D045EG
SWB - SS 50	C098D050E	C098D050EG
SWB - SS 60	C098D060E	C098D060EG
SWB - SS 80	C098D080E	C098D080EG
SWB - SS 100	C098D100E	C098D100EG
SWB - SS 120	C098D120E	C098D120EG

Set Includes:

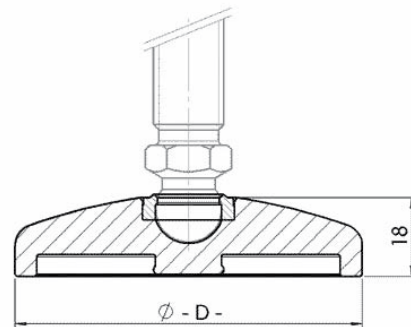
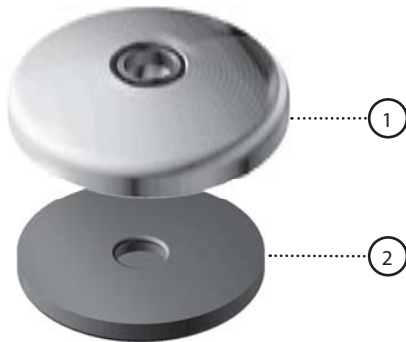
Without Anti Slip Plate:

1 - Base x 1

With Anti Slip Plate:

1 - Base x 1

2 - Anti Slip Plate x 1



Technical Information:

Item Description	Dim -D- (mm)	Max Static Load (kg)	Weight (g)	Colour	Finish	Material
SWB - SS 30	29.0	2000.0	62.0	Black	Plain	Stainless steel SS 304
SWB - SS 40	39.0		99.0			
SWB - SS 45	44.0		123.0			
SWB - SS 50	49.0	3500.0	158.0			
SWB - SS 60	59.0		218.0			
SWB - SS 80	79.0		380.0			
SWB - SS 100	99.0	4000.0	605.0			
SWB - SS 120	119.0		844.0			

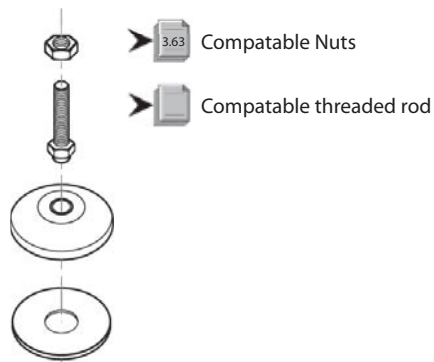


Extended Base - Die-cast Zinc (EXB - Zn):



General Information:

Function: Extended swivelling foot which can be fixed to the floor.



Item Description:

Item Number:
Without Anti-slip Plate

Item Number:
With Anti-slip Plate

EXB - Zn 80

C098DA080ZS

C098DA080ZSG

Set Includes:

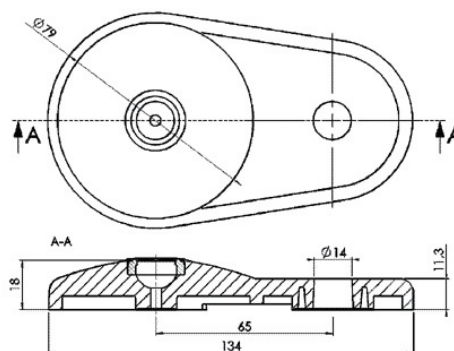
Without Anti
Slip Plate:

1 - Base x 1

With Anti Slip
Plate:

1 - Base x 1

2 - Anti Slip Plate
x 1

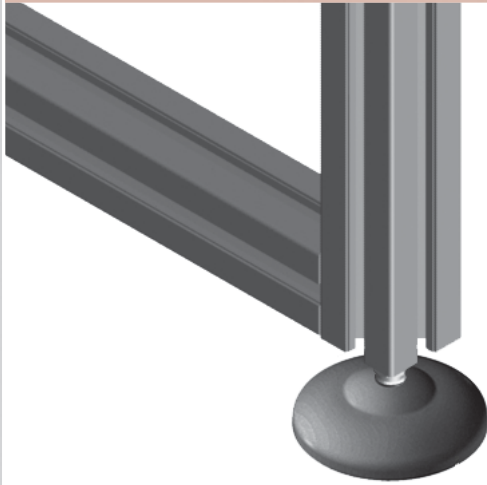


Technical Information:

Item Description	Dim -D- (mm)	Max Static Load (kg)	Weight (g)	Colour	Finish	Material
EXB - Zn 80	79.0	3000.0	399.0	Black	Powder Coated	Die-cast Zinc



Eco Feet Base - Nylon (ECB - N):



General Information:

Function: Economical levelling foot for stable positioning on slightly uneven floors.



Item Description:	Item Number: With Anti Slip Plate	Item Number: Without Anti Slip Plate
ECB - N 30	C098E030K	C098E030KG
ECB - N 40	C098E040K	C098E040KG

Set Includes:

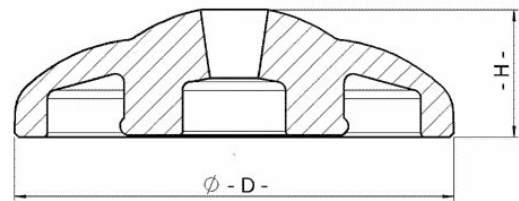
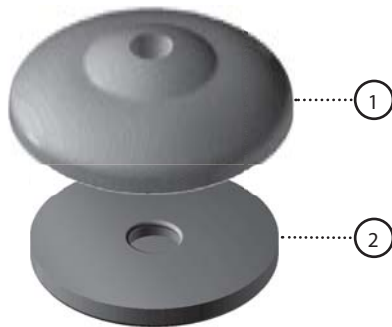
Without Anti Slip Plate:

1 - Base x 1

With Anti Slip Plate:

1 - Base x 1

2 - Anti Slip Plate x 1



Technical Information:

Item Description	Dim -D- (mm)	Dim -H- (mm)	Max. Load (kg)	Weight (g)	Colour	Material
ECB - N 30	29.0	11.5	1500.0	5.0	Black	Fibreglass reinforced nylon
ECB - N 40	39.0	12.0	1500.0	8.0		

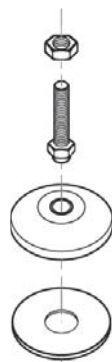


Eco Feet Base - Die-cast Zn (ECB - Zn):



General Information:

Function: Economical levelling foot for stable positioning on slightly uneven floors.



➤ 3.63 Compatible Nuts

➤ Compatible threaded rod



Item Description:

Item Number:
With Anti Slip PlateItem Number:
Without Anti Slip Plate

ECB - B Zn 30

C098E030ZS

C098E030ZSG

ECB - B Zn 40

C098E040ZS

C098E040ZSG

ECB - Zn 30

C098E030ZV

C098E030ZVG

ECB - Zn 40

C098E040ZV

C098E040ZVG

Set Includes:

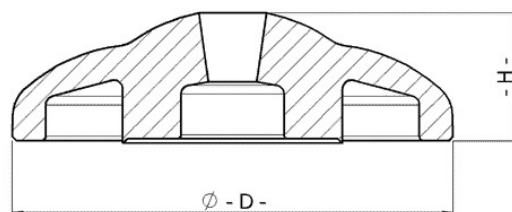
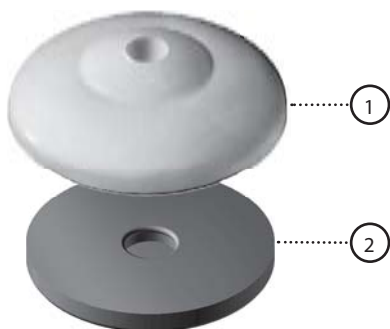
Without Anti Slip Plate:

1 - Base x 1

With Anti Slip Plate:

1 - Base x 1

2 - Anti Slip Plate x 1

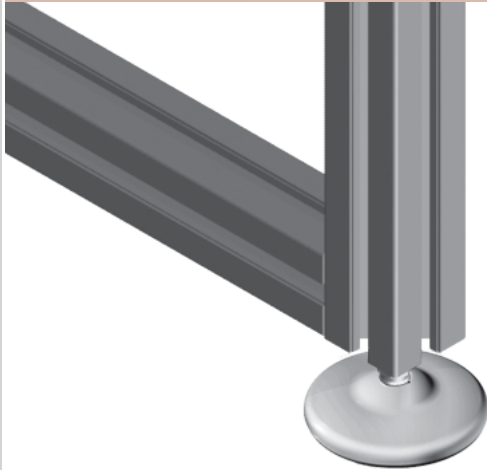


Technical Information:

Item Description	Dim -D- (mm)	Dim -H- (mm)	Max. Load (kg)	Weight (g)	Colour	Finish	Material
ECB - B Zn 30	29.0	11.5	1600.0	20.0	Black	Powder coated	Die-cast Zinc
ECB - B Zn 40	39.0	12.0	1800.0	38.0			
ECB - Zn 30	29.0	11.5	1600.0	20.0	Blue	Zinc plated	
ECB - Zn 40	39.0	12.0	1800.0	38.0			



Compact Feet Base (CFB):



General Information:

Function: Economical levelling foot for stable positioning on slightly uneven floors.

Features:

1. Anti-slip plate : TPE, water & oil resistant (up to 60°C)

  3.63 Compatible Nuts

  Compatible threaded rod



Item Description:

CFB 60

CFB 80

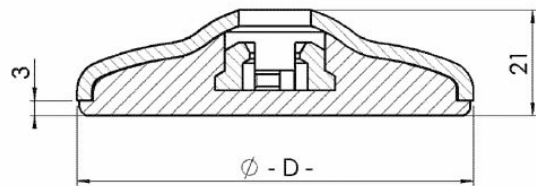
CFB 100

Item Number:

C098B060EG

C098B080EG

C098B0100EG



Technical Information:

Item Description	Dim -D- (mm)	Max. Load (kg)	Weight (g)	Colour	Finish	Material
CFB 60	59.0	1000.0	107.0	Silver	Plain	Stainless steel SS 316
CFB 80	79.0	1200.0	187.0			
CFB 100	99.0		292.0			